

CONNECTORS

STRATELINE™



STRATELINE™ DELAYED ACTION

STRATELINE™

Circuit Breaking, Delayed Action Type

Explosionproof, Class I, Groups C and D

20 or 30 Amperes
2 Pole, 3 Wire or 3 Pole, 4 Wire



EPD Plugs and ER Receptacles, in addition to their regular function of making electrical connections to portable equipment, are current-interrupting devices which provide a safe and positive means for opening and closing electrical circuits.

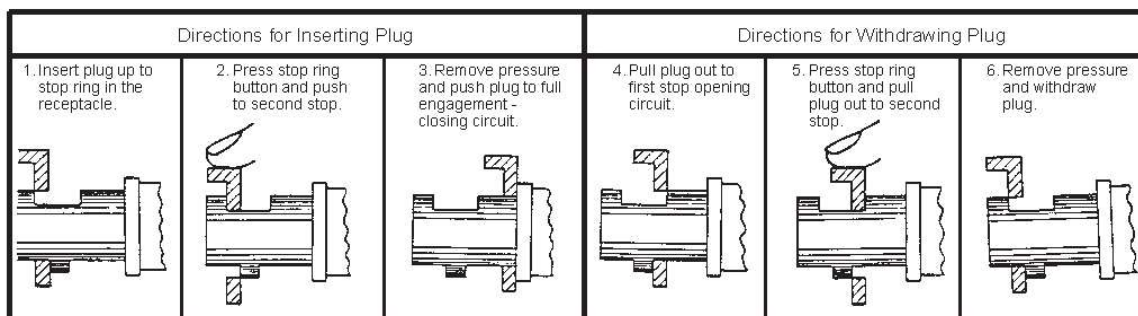
The contacts are confined within closed chambers to snuff the arc and are detained a sufficient length of time in their travel to permit cooling before exposure to the atmosphere. This is accomplished by the delayed action feature, which operates on the extremely simple straight-line principle illustrated schematically below.

Contact units are factory-sealed in the receptacle housing at the terminal end therefore seal fittings are not required adjacent to the receptacle. Flexible lead wires are provided for connection to the circuit wires.

Plugs and receptacles with a longer extra pole connect directly to the shell, completing the grounding circuit through the conduit system. The ground pole of the plug has a solder-less lug for connecting the extra conductor of the portable cord which is required by Article 500 of the N.E.C. for grounding non-current carrying metal parts of portable devices

Listed plugs fit only receptacles of the same rating.

Circuit Breaking, Delayed Action Operating Principle





PART NUMBERS ERR & EPD

STRATELINE™

**Factory Sealed
EPD PLUGS AND ERR RECEPTACLES
CIRCUIT BREAKING WITH DELAYED ACTION**

Explosionproof Class I, Groups C and D

ERR Receptacles



ERR Two-Gang Receptacles



EPD Plugs - Aluminum Alloy



Plugs fit only receptacles of the same electrical rating as listed in the spaces directly to the left of each plug group.

| | FOR CIRCUITS | HUB POSITIONS | HUB SIZE | RECEPTACLE CATALOG NUMBER | | DIAMETER CORD | PLUG CATALOG NUMBER |
|------------------|--|---------------|-------------|---|---|------------------------------|------------------------|
| 20 AMPERE | 20 AMPERES OR 1 HP, 120 OR 240 VOLTS - 60 HZ | | | | | | |
| | | | | Single | Duplex | | |
| | 2 Pole 3 Wire | Dead End ‡ | ½ ¾ 1 | ERRA-11532 ERRA-21532 ERRA-31532 | ERRA-115322 ERRA-215322 ERRA-315322 | .250 to .625 | EPD-51532 |
| | 2 Pole 3 Wire | Through Feed | ½ ¾ 1 | | ERRC-115322 ERRC-215322 ERRC-315322 | | |
| | 20 AMPERES OR 1 ½ HP, 120 OR 240 VOLTS - 60 HZ | | | | | | |
| | 3 Pole 4 Wire | Dead End ‡ | ½ ¾ 1 | ERRA-11542 ERRA-21542 ERRA-31542 | ERRA-115422 ERRA-215422 ERRA-315422 | .250 to .625 | EPD-51542 |
| 3 Pole 4 Wire | Through Feed | ½ ¾ 1 | | ERRC-115422 ERRC-215422 ERRC-315422 | | | |
| 30 AMPERE | 30 AMPERES OR 1 ½ HP, 120 OR 240 VAC; 7 AMPERES OR ½ HP, 480 VAC - 60 HZ | | | | | | |
| | 2 Pole 3 Wire | Dead End ‡ | ¾ 1 | ERRA-23032 ERRA-33032 | ERRA-230322 ERRA-330322 | .375 to .625 .626 to .875 | EPD-53032 EPD-73032 |
| | | Through Feed | ¾ 1 | | ERRC-230322 ERRC-330322 | | |
| | 30 AMPERES OR 3 HP, 120 OR 240 VAC; 7 AMPERES OR ½ HP, 480 VAC - 60 HZ | | | | | | |
| | 3 Pole 4 Wire | Dead End ‡ | ¾ 1 | ERRA-23042 ERRA-33042 | ERRA-230422 ERRA-330422 | .375 to .625 .626 to .875 | EPD-53042 EPD-73042 |
| Through Feed | | ¾ 1 | | ERRC-230422 ERRC-330422 | | | |

‡ Can be installed with hub at top or bottom, as covers are reversible.

Dimensions: Height including hubs: 6 1/4" except 1" hub sizes which are 6 1/2".

Width: 3 1/2" for single gang - 7 3/8" for two gang.

Mounting Holes: 11/32" diameter on 5 1/2" x 2 1/2" centers.

Depth from mounting surface to end of receptacle cover: 7 1/8" for 20 amperes - 8 3/4" for 30 amperes.

See Page CN81 for Part Number Code Logic.

CONNECTORS

STRATELINE™



PART NUMBERS ERH & EPD

STRATELINE™

**Factory Sealed
EPD PLUGS AND ERH RECEPTACLES
CIRCUIT BREAKING WITH DELAYED ACTION**

Explosionproof Class I, Groups C and D

ERH Receptacles

ERH Two-Gang Receptacles

EPD Plugs - Aluminum Alloy



Plugs fit only receptacles of the same electrical rating as listed in the spaces directly to the left of each plug group.

| | FOR CIRCUITS | HUB POSITIONS | HUB SIZE | RECEPTACLE CATALOG NUMBER | | DIAMETER CORD | PLUG CATALOG NUMBER |
|------------------|---|---------------|-------------|---|---|------------------------------|------------------------|
| 20 AMPERE | 20 AMPERES OR 1 HP, 120 OR 240 VAC - 60 HZ | | | | | | |
| | | | | Single | Duplex | | |
| | 2 Pole 3 Wire | Dead End ‡ | ½ ¾ 1 | ERHA-11532 ERHA-21532 ERHA-31532 | ERHA-115322 ERHA-215322 ERHA-315322 | .250 to .625 | EPD-51532 |
| | 2 Pole 3 Wire | Through Feed | ½ ¾ 1 | | ERHC-115322 ERHC-215322 ERHC-315322 | | |
| | 20 AMPERES OR 1 ½ HP, 120 OR 240 VAC - 60 HZ | | | | | | |
| | 3 Pole 4 Wire | Dead End ‡ | ½ ¾ 1 | ERHA-11542 ERHA-21542 ERHA-31542 | ERHA-115422 ERHA-215422 ERHA-315422 | .250 to .625 | EPD-51542 |
| 3 Pole 4 Wire | Through Feed | ½ ¾ 1 | | ERHC-115422 ERHC-215422 ERHC-315422 | | | |
| 30 AMPERE | 30 AMPERES OR 1 ½ HP, 120 OR 240 VAC; 7 AMPERES OR ½ HP, 480 VAC - 60 HZ | | | | | | |
| | 2 Pole 3 Wire | Dead End ‡ | ¾ 1 | ERHA-23032 ERHA-33032 | ERHA-230322 ERHA-330322 | .375 to .625 .626 to .875 | EPD-53032 EPD-73032 |
| | | Through Feed | ¾ 1 | | ERHC-230322 ERHC-330322 | | |
| | 30 AMPERES OR 3 HP, 120 OR 240 VAC; 7 AMPERES OR ½ HP, 480 VAC - 60 HZ | | | | | | |
| | 3 Pole 4 Wire | Dead End ‡ | ¾ 1 | ERHA-23042 ERHA-33042 | ERHA-230422 ERHA-330422 | .375 to .625 .626 to .875 | EPD-53042 EPD-73042 |
| | | Through Feed | ¾ 1 | | ERHC-230422 ERHC-330422 | | |

‡ Can be installed with hub at top or bottom, as covers are reversible.

Dimensions: Height including hubs: 6 1/4" except 1" hub sizes which are 6 1/2".

Width: 3 1/2" for single gang - 7 3/8" for two gang.

Mounting Holes: 11/32" diameter on 5 1/2" x 2 1/2" centers.

Depth from mounting surface to end of receptacle cover: 7 1/8" for 20 amperes - 8 3/4" for 30 amperes.

See Page CN81 for Part Number Code Logic.